

# HELIOS

MULTIGYM

The science of biomechanics, solid design, and tamperproof construction combine to bring you the HELIOS outdoor fitness multigym.



## Real Fitness Equipment for Real Results

The HELIOS Multigym takes the basics of commercial indoor fitness equipment and delivers it to the outside world in a tamperproof, durable and weatherproof package.

Compact, cost effective and completely safe, the HELIOS is designed for any fitness level or ability.

 **TAMPERPROOF.**  **WEATHERPROOF.**  **SAFE.**

### PROVEN TOUGH

The HELIOS has been proven tough in locations across North America and around the world. Installed in parks & playgrounds, correctional facilities, military bases, corporate campuses, and even on board military ships, the HELIOS has earned its reputation for strength, durability, and real exercise.

### 11+ DIFFERENT EXERCISES

The HELIOS is designed with over 11 different exercises, offering a full body workout.

With adjustability where needed and our unique chin/dip assist mechanism, the HELIOS Multigym is suitable for users of all fitness levels.

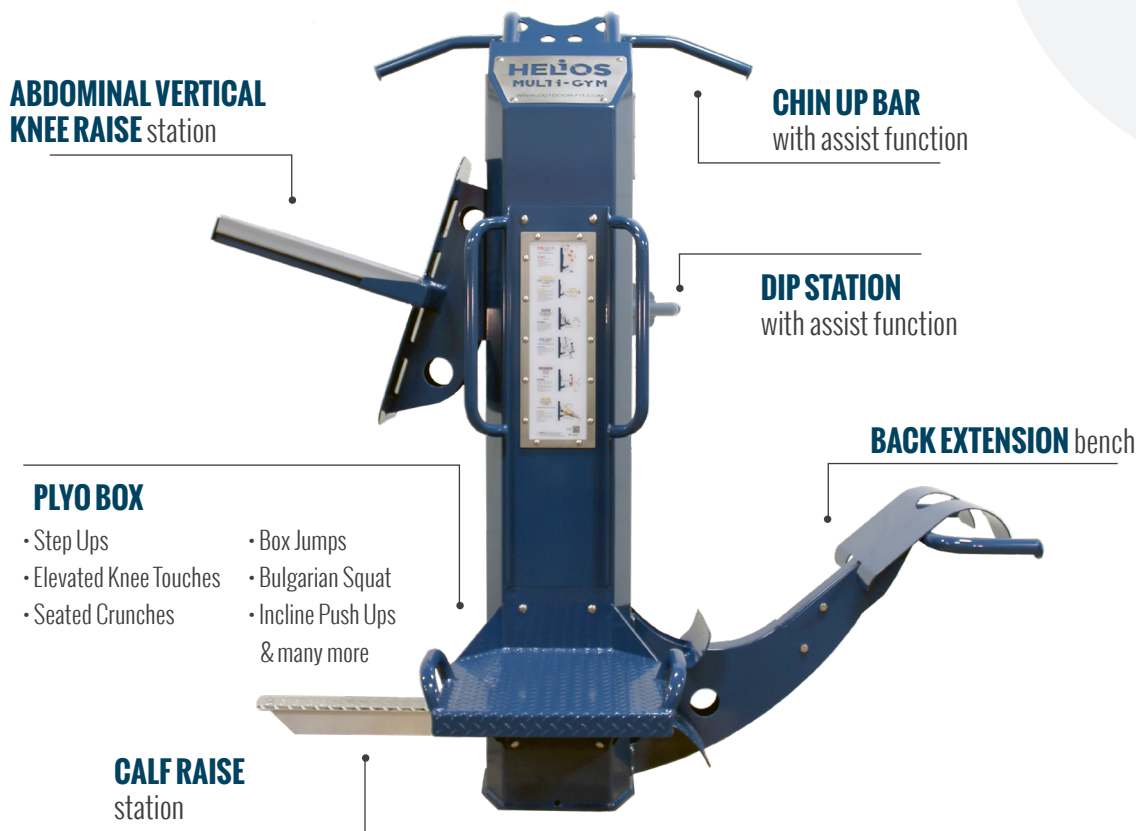
### 4 SIMULTANEOUS USERS

The HELIOS helps make the most of your space, with up to four people using the equipment at once.

The HELIOS is built to maximize indoor or outdoor exercise areas, with 11 exercises available:



**WATCH NOW**  
PRODUCT VIDEO  
HELIOS MULTIGYM



**TECHNICAL SPECIFICATIONS**



**Width:** 80" / 204 cm      **Height:** 85" / 216 cm  
**Length:** 65" / 166 cm      **Weight:** 620 lbs / 282 kg



**Anchoring Requirements:** 4 x concrete anchors with rated "pull out" or "tension" strength of 3400lbs or greater. Anchors must be secured into structural concrete.

**Frame & Finish:** Constructed of 3/16" and 1/4" heavy duty steel that is zinc primed and polyester powder coated with UV stabilized color pigment. All fasteners are tamperproof stainless steel carriage bolts with the locking nuts on the inside of the padlocked center column.

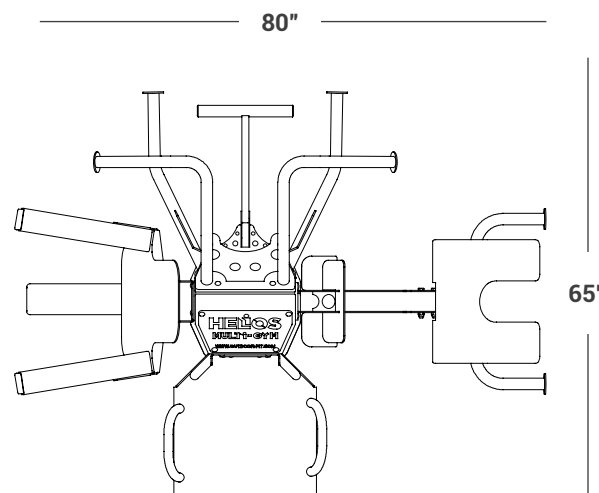
**Standard Color:** Green Blue.  
Custom colors available for an extra charge.

**Shipping Weight:** 718 lbs / 326 kg

**Shipping Dimensions:** 48" wide x 48" long x 85" high /  
122 cm wide x 122 cm long x 216 cm high

**Number of Simultaneous Users:** 4

**CAD DRAWING**



**CLICK**  
FOR CAD DETAILS

